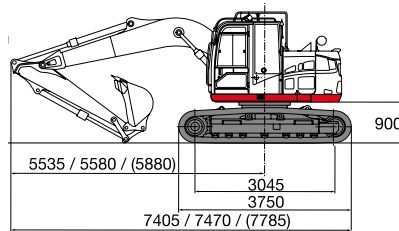
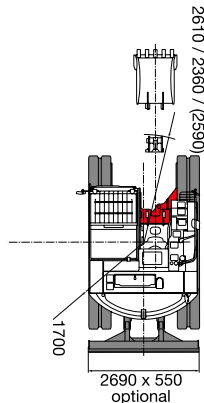
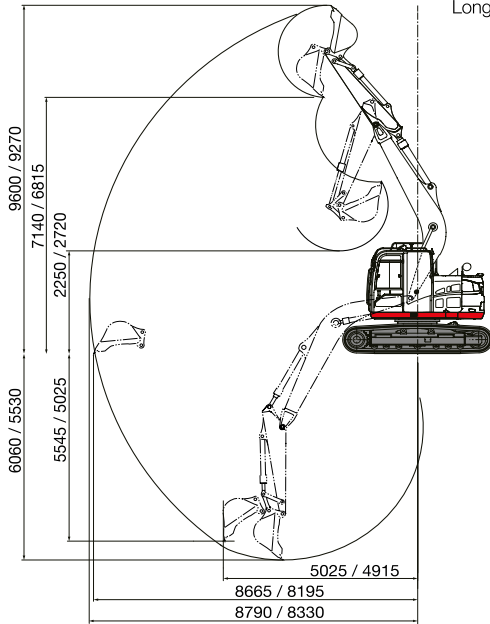
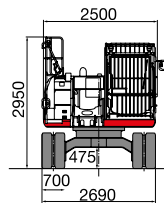
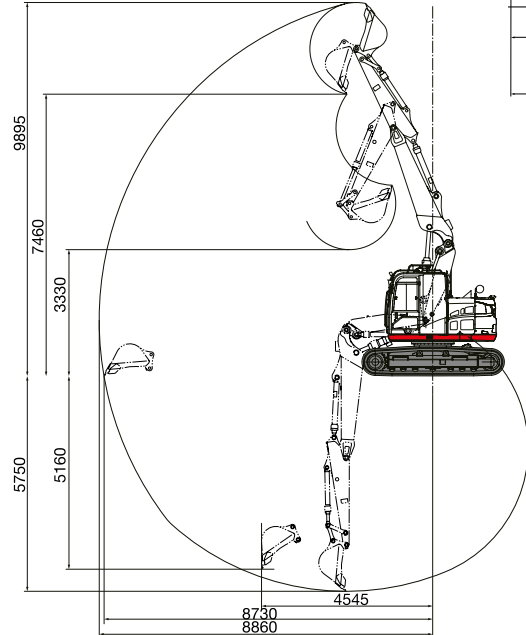


### Mono Boom: Long-Arm / Middle-Arm

All measurements are in mm.  
Long-Arm / Middle-Arm / (2-piece boom)



### 2-piece Boom with a Middle-Arm



### TB2150R

Standard UK Spec – Steel Tracks Long-Arm Mono Boom  
Options: - Middle-Arm Mono Boom / (2-piece Boom)

Engine	
Make	DEUTZ
Model	TCD3.6L4
Rated Output (kW)	85 / 2000
Maximum Torque (Nm)	460
Cylinders	4
Displacement (cc)	3621
Electrical System	24 volt

Dimensions & Weight	
Op. Weight kg (bucket, hitch, fuel)	15710
Long-Arm / Middle-Arm / 2-piece	15640 / (16270)
Length (Transporting) (mm)	7405
Long-Arm / Middle-Arm / 2-piece	7470 / (7785)
Width (mm)	2690
Height (mm)	2950
Ground Clearance (mm)	445
Dozer Blade (W x H) (mm) optional	2690 x 550

Hydraulic System	
Set Pressure (bar)	340
Pump Type	Variable Displacement
Hydraulic Pump Flow Aux port (l/min)	224

Swing System	
Slew Radius (mm)	1700
Slew Speed (rpm)	11
Slew Motor	Piston
Slew Brake	Disc

Undercarriage	
Traction Motor	Variable Displacement
Traction Drive	Epicyclic Gearing
Traction Brake	Disc
Track Width (mm)	700
Ground Contact Length (mm)	3045
Ground Pressure (kpa)	45.7 / 46.2 / (48.1)
Travel Speed (k/ph) (steel)	2.7 / 5.1
Maximum Gradeability	35°

Capacities	
Hydraulic System (l)	235
Fuel Tank (l)	221
Engine Lubrication (l)	10
Cooling System (l)	27

Operating Information	Long-Arm Standard	Middle-Arm Option	2-piece Option
Max Digging Depth (mm)	6060	5530	5750
Max Dump Height (mm)	7140	6815	7460
Max Reach at Ground Level (mm)	8665	8195	8730
Max Vertical Dig Depth (mm)	5545	5025	5160
Max Bucket Digging Force (kN)	96.3	96.3	96.3
Max Arm Digging Force (kN)	60.0	65.4	65.4
Max Lift at Full Reach rear/front (daN)*	2061	1976	1981
Max Lift at Full Reach over side (daN)*	1285	1474	1269
Max Lift rear/front/side (daN)*	5890	7935	7762

OPTIONS: rubber tracks, hitches, dozer, buckets sizes 450-1200mm digging, 1800mm ditch, hydraulic breaker TKB802-S.

3/2019

**For more information locally**  
call us direct, or contact:

hire@pjpuke.com  
www.pjpuke.com

Takeuchi Mfg (UK) Ltd, Unit E2B Kingsway Business Park,  
John Boyd Dunlop Drive, Rochdale, Lancashire OL16 4NG  
Tel: 01706 657 722 Fax: 01706 657 744

Southern Depot at 20 Colthrop Business Park  
Colthrop Lane, Thatcham, Newbury, Berks RG19 4NB  
Tel: 01635 877 196 Fax: 01635 877 195

www.takeuchi-mfg.co.uk Email: sales@takeuchi-mfg.co.uk

\*Lifting; the mass weight of slings / hitches / bucket to be deducted from the rated load to determine the net load that may be lifted.

Takeuchi machines come with a 2 year/2000 hours warranty as standard. Warranty exceptions to 1 year; fuel injection systems, electrical components, paint work.

In accordance with our established policy of constant improvement, we reserve the right to amend these specifications at any time without notice. Photographs shown may feature non-standard equipment.